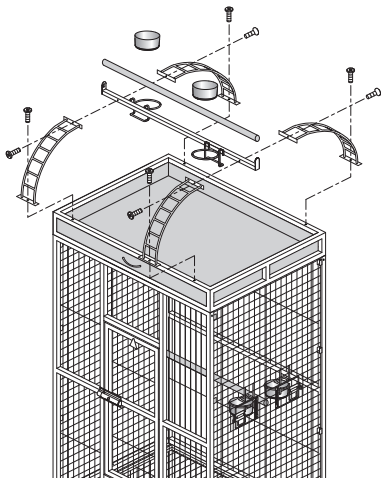
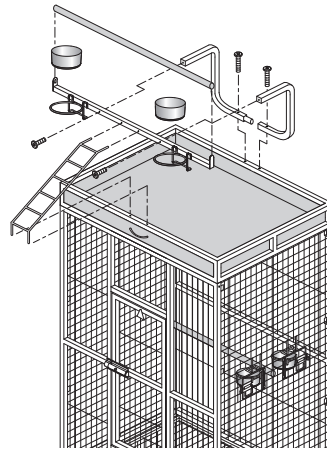


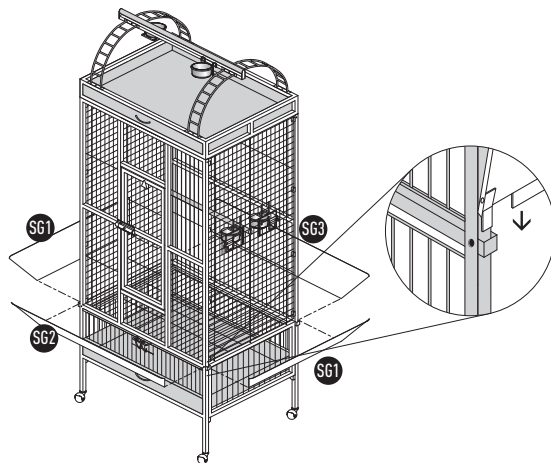
- 6<sup>a</sup>** PLAYTOP UNIT for METALIC COLOR MODELS:
- Attach two ladders to back edge of playtop with one short hex screw for each.
  - Attach cup/perch bar to ladders with one short hex screw at the top of each ladder.
  - Attach two ladders to front edge of playtop and front edge of cup/perch bar.
  - Slide shortest (21¾"L) perch onto cup/perch bar.
  - Insert short cups into holders on cup/perch bar.



- OR 6<sup>b</sup>** PLAYTOP UNIT for HAMMERTONE COLOR MODELS:
- U-bar ships as two pieces. Assemble U-bar and attach to back edge of playtop frame with two long hex screws.
  - Attach cup/perch bar to U-bar with two short hex screws.
  - Slide shortest (21¾"L) perch onto cup/perch bar.
  - Insert short cups into holders on cup/perch bar.
  - Install ladder. Top posts on ladder correspond with holes on face of cup/perch bar. Bottom posts correspond with holes on front top edge of playtop frame.



- 7** THIS STAGE IS EASIER WITH TWO PEOPLE.
- Left and right side seed guards (SG1) are interchangeable. (SG1) guards have tabs at the corners which fit into sleeves on the legs of front/back (F)/(B) panels. Slip guards into place.
  - Front seed guard (SG2) panel has a notch at the center of the front base edge. Slide (SG2) guard into place. With first person holding (SG2) guard in position, second person aligns holes at the corners and secures guards together with screw & nut pairs. Use same procedure with back seed guard (SG3).



★ Your cage is now fully assembled!

# cage assembly instructions

Select Cage

cage: 24"L × 20"W × 60"H  
 interior: 23½"L × 19½"W × 34¾"H  
 wire gauge: 9 & 12  
 wire spacing: ¾"

## getting started!

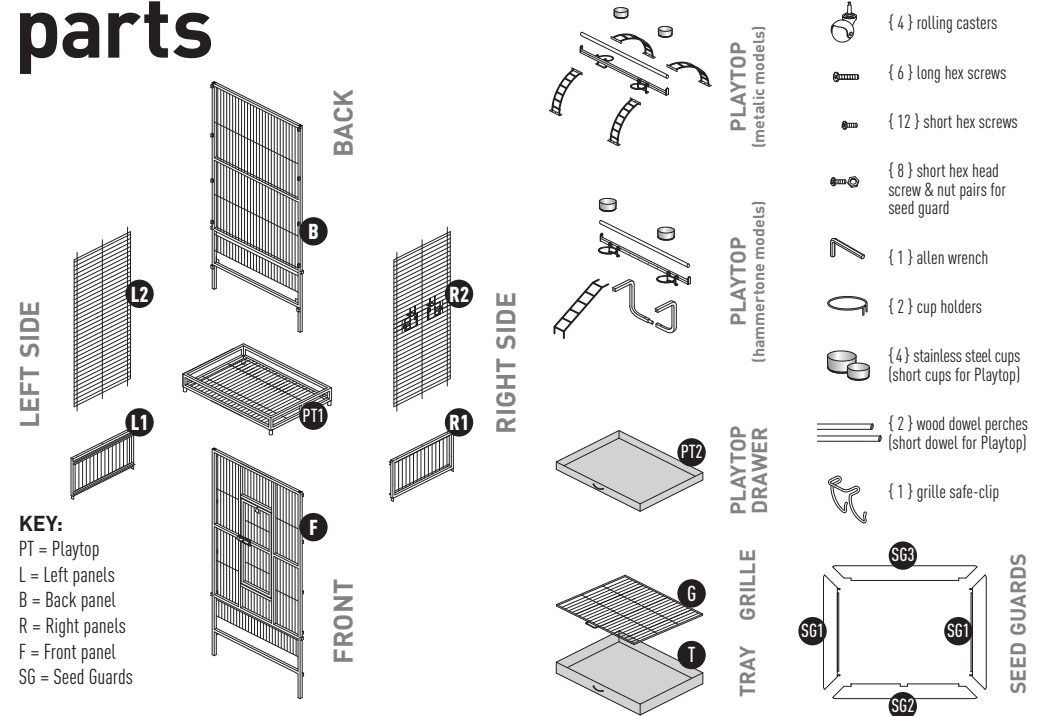
### READ THESE NOTES FIRST:

- Enlist A Friend:** While this large cage may be assembled by one person, several steps would be made easier with two people.
- Count Hardware:** Extra screws are included. If the screw count is short, please contact Customer Service.
- Review All Parts:** If parts are bent during shipping, pieces may be straightened with needle nose pliers. For seriously damaged pieces, please contact Customer Service.

- Tools:** An allen wrench is included. You may want to have a pair of needle nose pliers available. You may use your own hand tools, but we **DO NOT recommend power drills!** Parts can be over-tightened and damaged/stripped. We are not responsible for this type of damage.

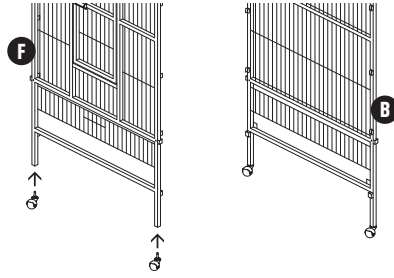
Review these instructions thoroughly before attempting to assemble cage.

## parts



# steps

- 1** Attach casters to legs of **front (F)** and **back (B)** panels.



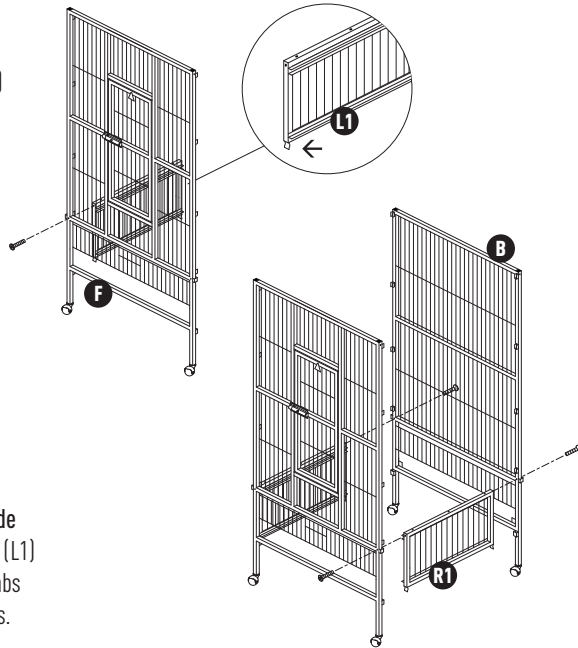
- 2a** THIS STAGE IS EASIER WITH TWO PEOPLE.

Left side lower (L1) and right side lower (R1) panels are interchangeable. Channels on (L1) and (R1) face interior of cage.

- Have one person hold (F) panel upright while second person installs (L1) and (R1) panels.

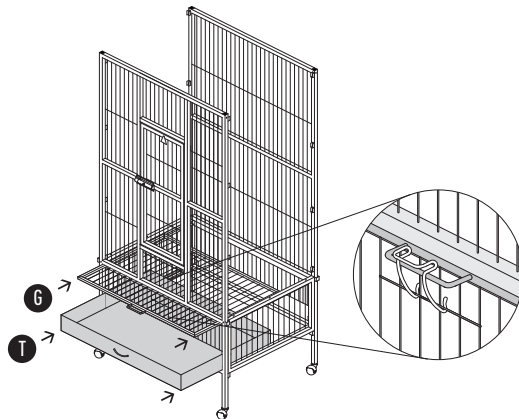
(L1) and (R1) panels have tabs at the bottom corners. These tabs correspond to sleeves on the legs of (F) and back (B) panels.

Slide the tab on bottom corner of **left side lower (L1)** panel into the sleeve on the leg of (F). Secure (L1) to (F) with long hex screw.



- 2b** Following the same procedure, attach **right side lower (R1)** panel to **front (F)** panel and attach (L1) and (R1) panels to **back (B)** panel, inserting tabs into sleeves and securing with long hex screws.

- 3** After lower cage has been assembled, slide the **grille (G)** and **tray (T)** into their tracks.
- To keep the grille securely in place, a Safe-Clip is included. Locate the short horizontal bar on the panel under the grille, and centered directly under the grille handle.
- Hook the open-ends of the Safe-Clip onto the short horizontal bar. Hook the upper part of the Safe-Clip over the handle on the grille.



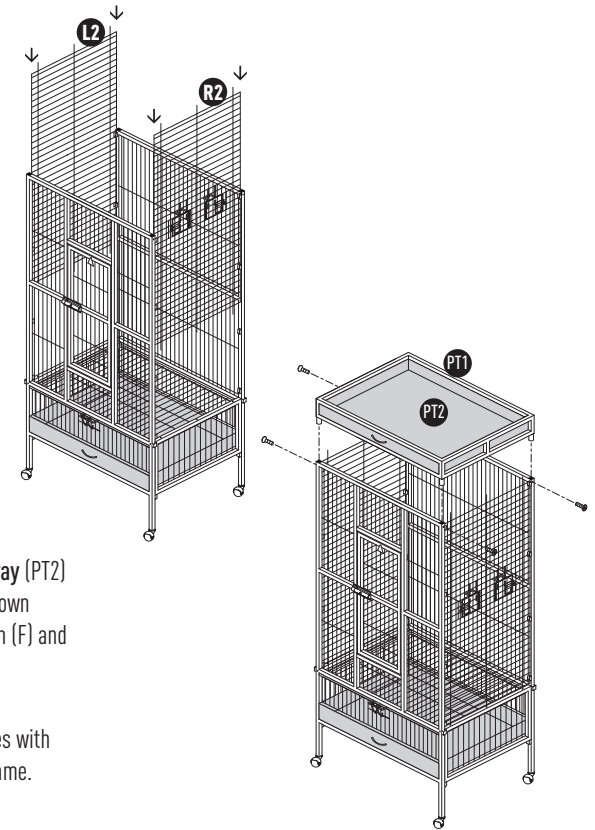
- 4a** THIS STAGE IS EASIER WITH TWO PEOPLE.
- Left (L2) and right (R2) side panels are interchangeable. For these instructions, (R2) is the panel with the cup doors.

- Make sure cup doors swing out (not into cage).

Side (L2) and (R2) panels slide into tracks along (F) and (B) panel frames.

Three vertical wires on (L2) and (R2) panels extend below lower horizontal wire. Align wires with corresponding holes along top surface of (L1) and (R1) side panels.

- If extended wires are bent, straighten with needle nose pliers.



- 4b** Playtop (PT1) frame (shipped with Playtop Tray (PT2) in place) fits over top of cage. Posts extend down from corners and correspond with openings on (F) and (B) panels.

Three vertical wires on (L2) and (R2) panels extend above upper horizontal wire. Align wires with corresponding holes along bottom of (PT1) frame.

Secure top to frame with short hex screws.

- 5** Before assembling the full playtop unit, this is a good time to add **cup holders** and **stainless steel cups** to the side panel cup doors, and to install the longer (24¾" L) **wooden dowel perch**.

